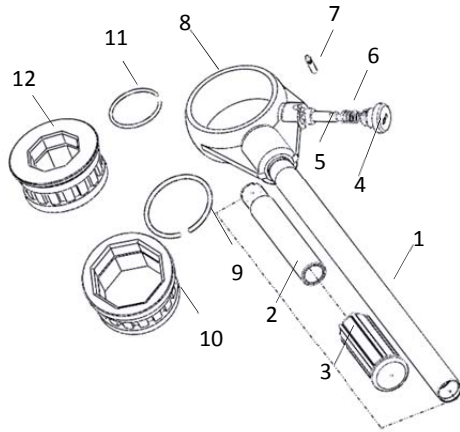




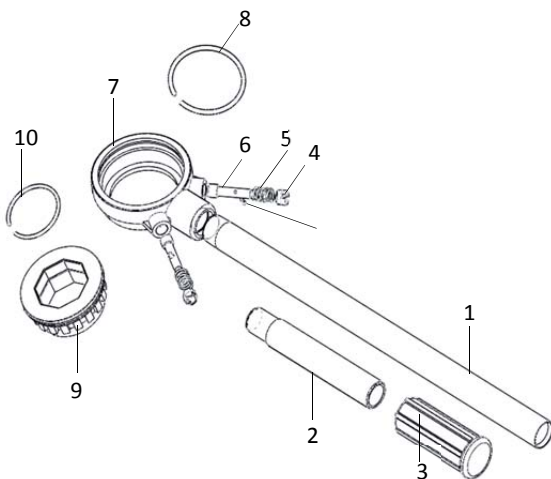
## RGD Type Ratchet Threader parts

### RGD-6P Ratchet Assembly



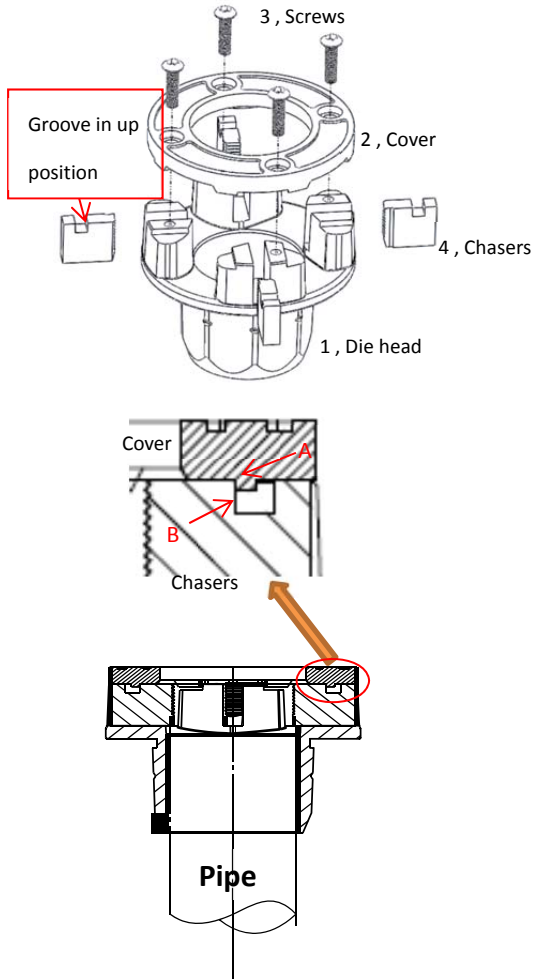
Ref.	order no.	Description
1.	111-03-01	Long handle
2.	111-03-02	Short handle
3.	111-17	Handle sleeve
4.	DS21	Knob
5.	DS22	Pawl
6.	DS24	Spring for pawl
7.	DS23	Pin
8.	DS20-GS	Ratchet housing
9.	RGD-ADP spring(L)	spring for adaptor
10.	RGD-12R-ADP(L)	Large octagon adaptor
11.	RGD-ADP spring(S)	spring for adaptor
12.	RGD-12RADP(S)	Small octagon adaptor

### RGD-4P Ratchet Threader parts



Ref.	order no.	Description
1.	111-03-01	Long handle
2.	111-03-02	Short handle
3.	111-17	Handle sleeve
4.	R211-02	Nut of pawl
5.	R211-01	Pawl
6.	R211-03	Spring for pawl
7.	111-01	Ratchet housing
8.	111-04	spring for Ratchet housing
9.	RGD-111 ADP(S)	Octagon adaptor for 111-01
10.	RGD-ADP spring(S)	spring for adaptor

### RGD Die Head Assembly



#### Instruction for replace the Chasers in Drop Head Threader

1. Remove the 4 screws (3), cover(2), and old chasers.
2. Insert new chasers according to sequence no. clockwise, into die head slot.
3. Place cover back, and tighten the screws lightly.
4. Slide die head set on a threaded pipe until chasers begin to thread.
5. The chasers was forced their (B) faces against (A) of the cover.
6. Tighten the 4 screws.

Die head assembly order no.

---

Order no.	Description
RGD-6P NPT	threader sets include 6 NPT die heads stes ( 2" / 1-1/2" / 1-1/4" / 1" / 3/4" / 1/2"), ratchet set, handle, 2 adaptor, blow mold case
RGD-6P PT	threader sets include 6 PT die heads stes ( 2" / 1-1/2" / 1-1/4" / 1" / 3/4" / 1/2"), ratchet set, handle, 2 adaptor, blow mold case
RGD-DH-1/4PT	BSPT 1/4" threader die head with chaser set
RGD-DH-3/8PT	BSPT 3/8" threader die head with chaser set
RGD-DH-1/2PT	BSPT 1/2" threader die head with chaser set
RGD-DH-3/4PT	BSPT 3/4" threader die head with chaser set
RGD-DH-1PT	BSPT 1" threader die head with chaser set
RGD-DH-11/4PT	BSPT 1-1/4" threader die head with chaser set
RGD-DH-11/2PT	BSPT 1-1/2" threader die head with chaser set
RGD-DH-2PT	BSPT 2" threader die head with chaser set
RGD-DH-1/4NPT	NPT 1/4" threader die head with chaser set
RGD-DH-3/8NPT	NPT 3/8" threader die head with chaser set
RGD-DH-1/2NPT	NPT 1/2" threader die head with chaser set
RGD-DH-3/4NPT	NPT 3/4" threader die head with chaser set
RGD-DH-1NPT	NPT 1" threader die head with chaser set
RGD-DH-11/4NPT	NPT 1-1/4" threader die head with chaser set
RGD-DH-11/2NPT	NPT 1-1/2" threader die head with chaser set
RGD-DH-2NPT	NPT 2" threader die head with chaser set